

INSTALLATION INSTRUCTIONS  
Opera Pendant: Medium & Large LED models

# INSTALLATION INSTRUCTIONS

## Opera Pendant: Medium & Large LED models

MUST be installed by a licensed electrician in accordance with AS/NZS 3000. PLEASE NOTE: There are no serviceable parts. Please return to manufacturer for any required repairs.

PARTS:  
Canopy (incl. ceiling bracket)  
Remote driver  
Rods x 3 (500mm, 300mm, and 200mm)  
Light fitting incl. LED Board & wiring  
Acrylic diffuser  
Finishing nut

### PRE-INSTALLATION

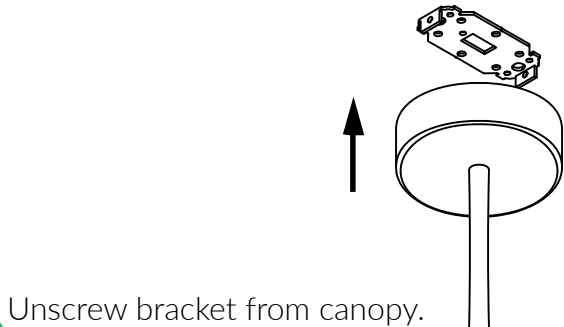
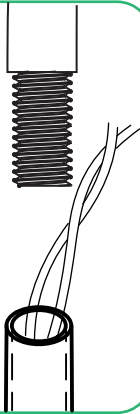
Ensure there is adequate support in the ceiling to hold minimum 8 kilograms of weight. Ensure wires are well-connected to LED board (and have not been dislodged in transport).

## 1. ASSEMBLY OF SUSPENSION ROD

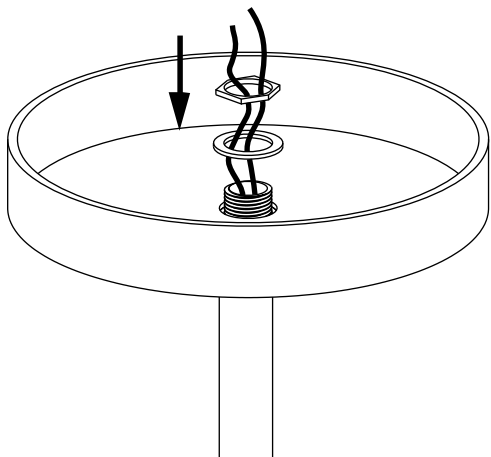
Ascertain correct length required from ceiling to light fitting. Discard unwanted rod lengths.

Thread wires through each rod, one at a time.

Screw the rod into the nipple screw connector, thread wire through and repeat until desired length is reached.



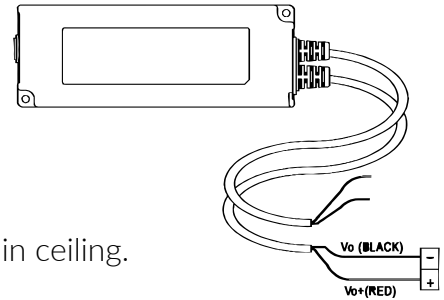
Unscrew bracket from canopy.



Screw rod into canopy using nut and washer.

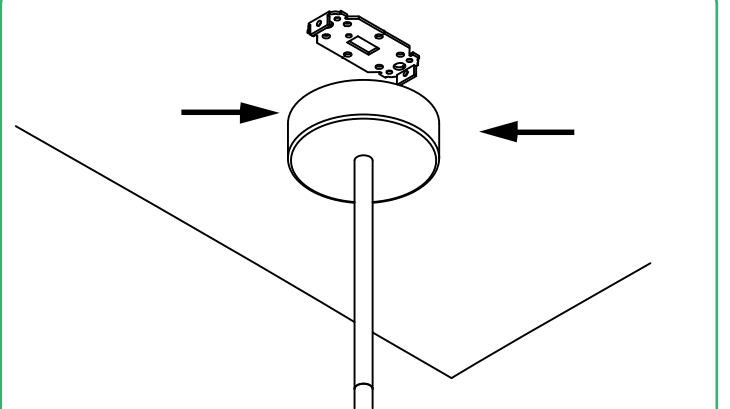
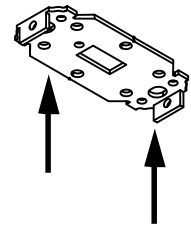
## 2. CEILING INSTALLATION

Place driver in ceiling.



Screw bracket into ceiling.

Connect blue and brown wires from lighting unit into driver.



Screw canopy of light fitting over bracket, using the two screws provided.