

INSTALLATION INSTRUCTIONS  
Opera Pendant: Medium Globe Model

# INSTALLATION INSTRUCTIONS

## Opera Pendant: Medium Globe Model

### PARTS:

Canopy (incl. ceiling bracket)  
Rods x 3 (500mm, 300mm, and 200mm)  
Light fitting  
200mm or 250mm glass sphere

Not included: E27 Globe - Recommended max. wattage 12W (LED).  
Please note: There are no serviceable parts. Please return to manufacturer for any required repairs.

### PRE-ASSEMBLY

Ensure there is adequate support in the ceiling to hold minimum 8 kilograms of weight.

### INSTALLATION

Must be installed by a licensed electrician in accordance with AS/NZS 3000.

**MUST USE LED E27 BULB - MAX 12W**

### PLEASE NOTE:

There are no serviceable parts. Please return to manufacturer for any required repairs.

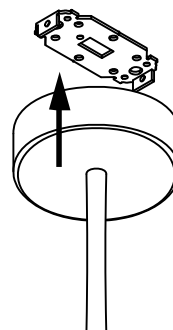
# 1.

## ASSEMBLY OF SUSPENSION ROD

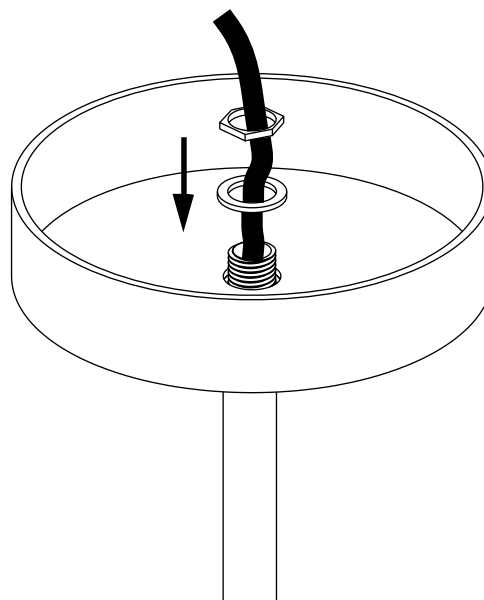
Ascertain correct length required from ceiling to light fitting. Discard unwanted rod lengths.

Thread cord through each rod, one at a time.

Screw the rod into the nipple screw connector, thread cord through and repeat until desired length is reached.



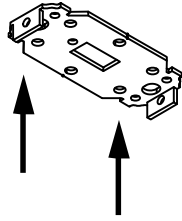
Unscrew bracket from canopy.



Screw rod into canopy using nut and washer.

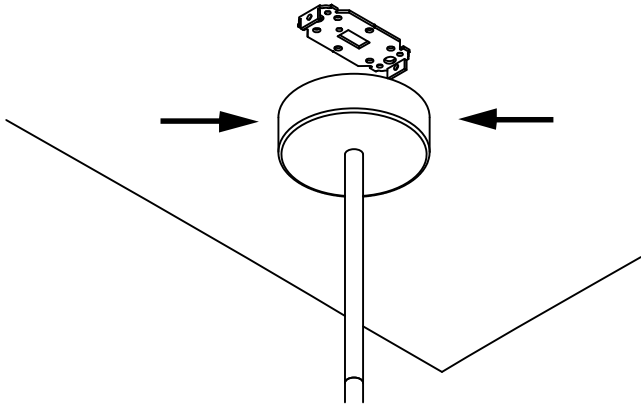
# 2.

## CEILING INSTALLATION



Screw bracket into ceiling.

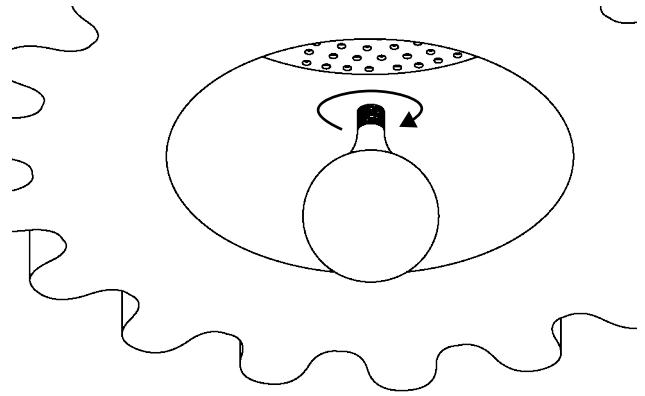
Connect blue and brown wires from lighting unit into mains power.



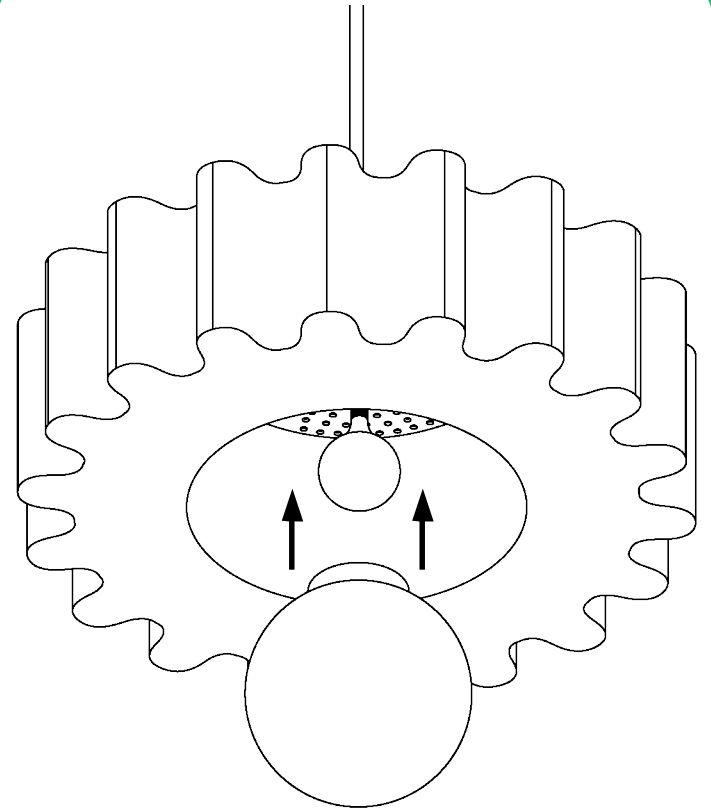
Screw canopy of light fitting over bracket, using the two screws provided.

# 3.

## ASSEMBLY OF GLOBE & GLASS SPHERE



Screw bulb into light fitting.



In one hand, pull 2 springs downward to create tension, place the glass sphere over the springs and release slowly.

Ensure both springs fit inside the sphere opening before letting go.