



INSTALLATION INSTRUCTIONS
Brutalis



INSTALLATION INSTRUCTIONS

Brutalis

MUST be installed by a licensed electrician in accordance with AS/NZS 3000.

PLEASE NOTE: There are no serviceable parts. Please return to manufacturer for any required repairs.

PRE-INSTALLATION

Ensure there is adequate support in the ceiling to hold minimum 10 kilograms of weight.

PARTS:

LED Base

Remote driver

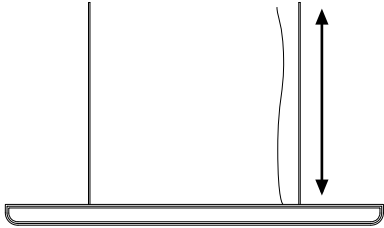
2x Griplock suspension holders & screws

Ceiling electrical mount incl. cover plate

1.

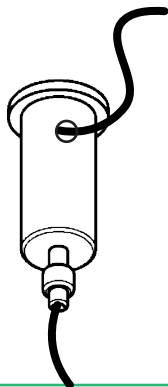
INSTALLATION OF SUSPENSION WIRES

Ascertain correct length required from ceiling to light fitting.

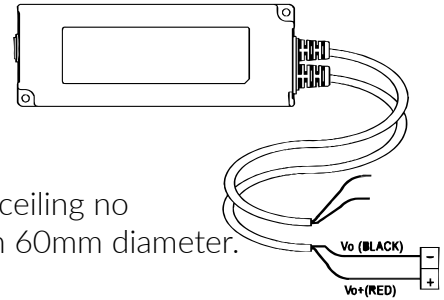


Thread wires through Griplocks.

Once hanging length is approved, trim excess wire.

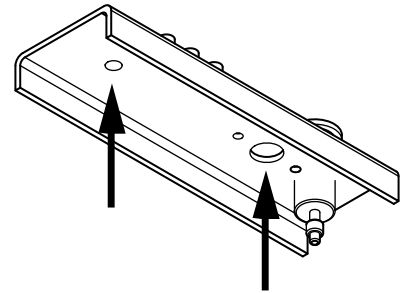


2. CEILING INSTALLATION



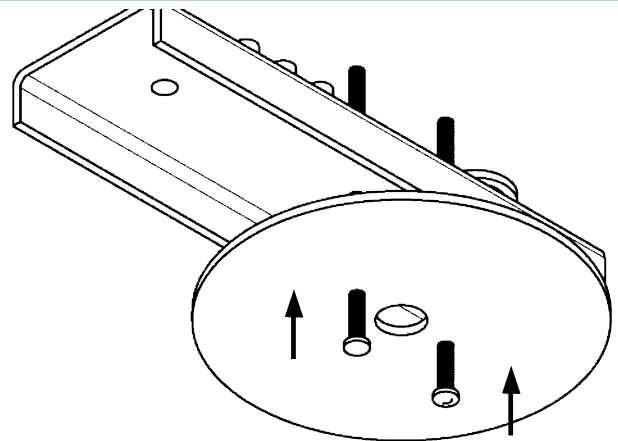
Cut hole in ceiling no greater than 60mm diameter.

Place driver in ceiling.



Screw bracket into ceiling.

Connect wires from lighting unit into driver.



Attach ceiling plate using screws provided. Attach magnetic cover plate.